

# Product data sheet

## Characteristics

# 9070T500D33

Transformer, Type T, industrial control, 500 VA, 380/400/415 VAC pri / 115/230 VAC sec, 1 phase, 50/60 Hz, 115°C rise



Product availability: Stock - Normally stocked in distribution facility

Price\*: 509.00 USD



### Main

Product or component type	Industrial Control Transformer
Rated power in VA	500 VA
Range of product	T

### Complementary

Phase	1 phase
Rated power in VA	500 VA UL 500 VA CSA 500 VA NOM 300 VA
Temperature rise	115 °C
Electrical connection	Screw clamp terminals
Height	3.84 In (97.54 mm)
Width	4.5 In (114.30 mm)
Depth	5.49 In (139.45 mm)
Material	Copper winding
Product compatibility	FSC2

### Environment

Product certifications	UL listed file E61239 CSA file LR37055 guide 184-N-90
NEMA degree of protection	Not rated (open device)
Insulation temperature	356 °F (180 °C)

## Ordering and shipping details

Category	16201 - 9070 T (NOT TF) 250-2000VA
Discount Schedule	CP8
GTIN	00785901905172
Nbr. of units in pkg.	1
Package weight(Lbs)	12.3 Lb(US) (5.58 kg)
Returnability	Yes
Country of origin	MX

## Packing Units

Package 1 Height	6.50 In (16.510 cm)
Package 1 width	6.80 In (17.272 cm)
Package 1 Length	7.80 In (19.812 cm)

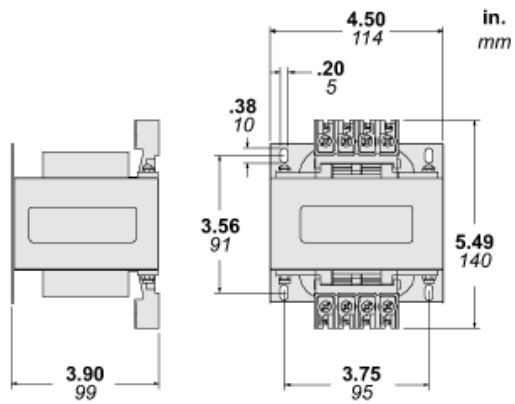
## Offer Sustainability

Sustainable offer status	Green Premium product
California proposition 65	WARNING: This product can expose you to chemicals including: Phenyl glycidyl ether, which is known to the State of California to cause cancer and birth defects or other reproductive harm. For more information go to <a href="http://www.P65Warnings.ca.gov">www.P65Warnings.ca.gov</a>
REACH Regulation	<a href="#">REACH Declaration</a>
EU RoHS Directive	Compliant <a href="#">EU RoHS Declaration</a>
Mercury free	Yes
RoHS exemption information	<a href="#">Yes</a>
China RoHS Regulation	<a href="#">China RoHS Declaration</a>
Environmental Disclosure	<a href="#">Product Environmental Profile</a>
PVC free	Yes

## Contractual warranty

Warranty	10 Years
----------	----------

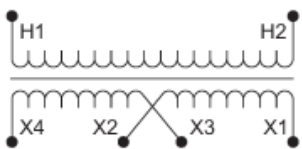
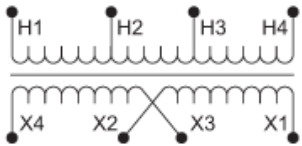
Approximate Dimensions



Connections and Wiring Diagrams

Voltage and Connection Options

Voltage Code	Voltages		Connections	
	Primary	Secondary	Primary	Secondary
D33	380/400/415	115/230	380: Connect to H1 and H2 400: Connect to H1 and H3 415: Connect to H1 and H4	115: Connect to X1 and X4 Jumper X1 with X3 Jumper X2 with X4 230: Connect to X1 and X4 Jumper X2 with X3
D37	550/575/600	110/220 115/230 120/240	550 or 575 or 600: Connect to H1 and H2	110 or 115 or 120: Connect to X1 and X4 Jumper X1 with X3 Jumper X2 with X4 220 or 230 or 240: Connect to X1 and X4 Jumper X2 with X3
D60	277	120/240	277: Connect to H1 and H2	120: Connect to X1 and X4 Jumper X1 with X3 Jumper X2 with X4 240: Connect to X1 and X4 Jumper X2 with X3



Product Life Status : **Commercialised**